

USB Wireless Access Point Model 7043000-1



Features

- Wireless Access Point (WAP)
- Transmits at 914.5MHz¹, 1mW, narrow band.
- License free band in North America
- Provides communication interface between Wireless Sensor, 7034000-1, and computer.
- USB 2.0 Interface
- USB Powered
- Active Repeater capabilities
- Encrypted Retransmission
- Solid State, No Moving Parts
- IP65, NEMA 4 Package



¹ 869.85 MHz units available on special request

Description

The Wireless Access Point (WAP), part number 7043000-1, when connected to a computer via a USB cable assembly is used to communicate with wireless accelerometers or wireless telemetry units. The WAP communicates and is powered via the USB interface. The 7043000-1 is used in the Maintenance Watchdog™ system and Wireless VibeHound™ system.

Performance – All Models: T_C=25° C unless otherwise specified.

Parameter	Min.	Typ	Max	Units
Transceiver Operational Frequency ¹		914.50		MHz
Radiated Power (ERP)			0	dBm
Receiver Sensitivity		-100		dBm
USB Cable Length			15	feet
Remote Power		+5.0		VDC
Wireless Data Rate			3.5	kb/s
Wireless Range		250		feet
Weight		100		Grams
Operating Temperature	0		50	°C
Storage Temperature	-20		70	°C
Operating Humidity, non-condensing	5		95	%

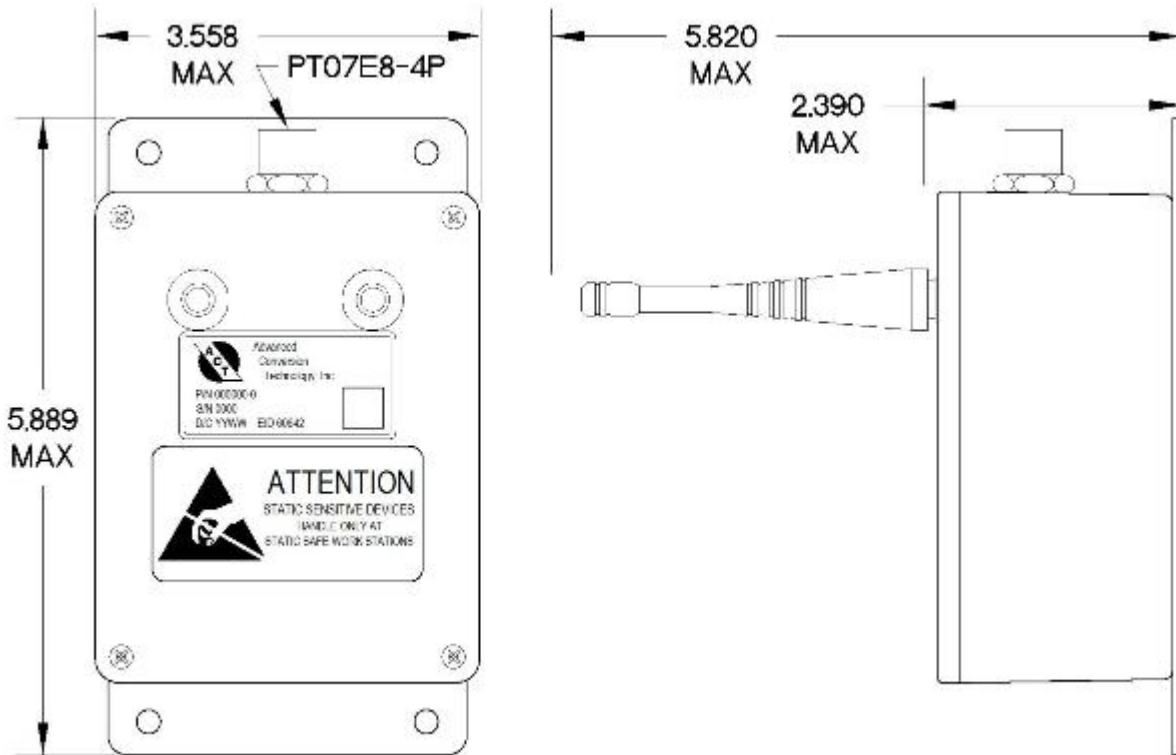
¹ 869.85 MHz units available on special request

USB Wireless Access Point Model 7043000-1



Ordering information

Part Number:	7043000-1	Wireless Access Point (WAP)
	7016010-1	15. USB Cable Assembly
	ANT-96-CW-QW	Antenna



Rev A.5, Specifications subject to change without notice.